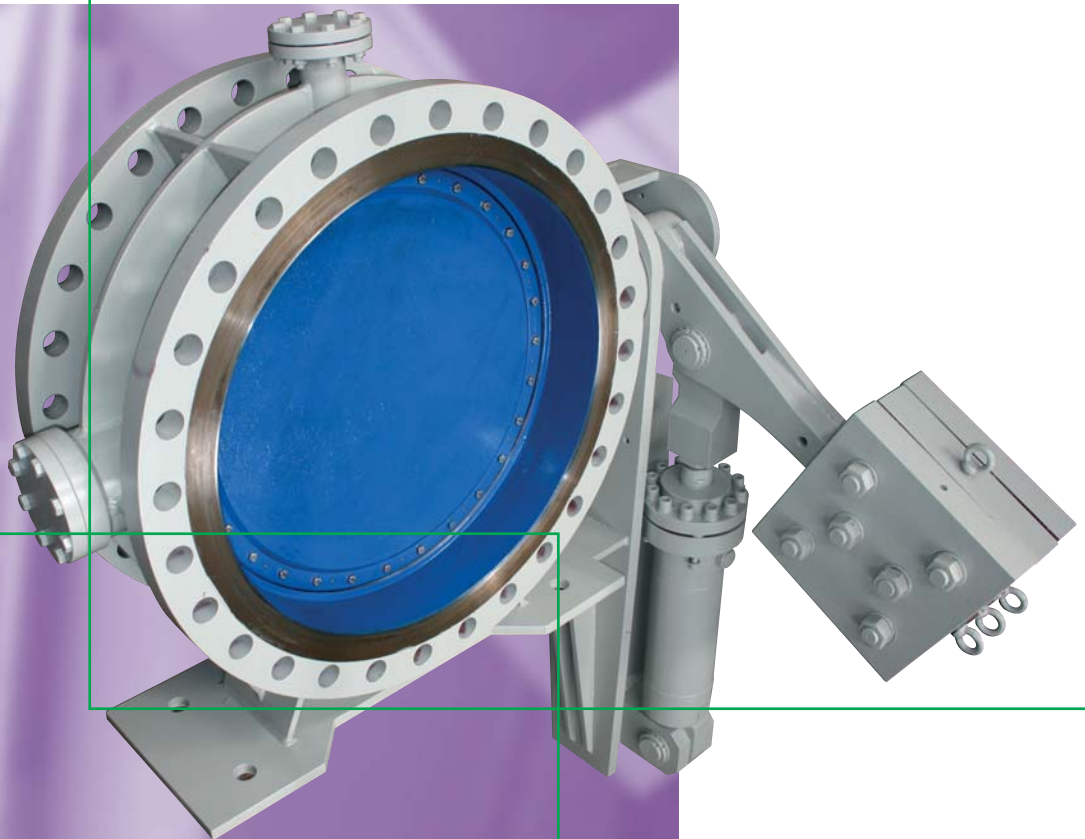


TURBINE VALVES



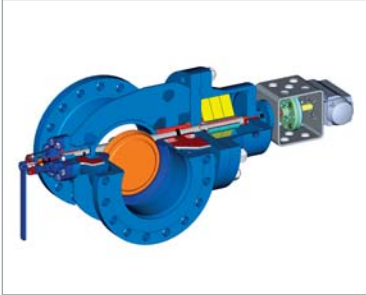
PRODUCT CATALOGUE

BUTTERFLY SWING CHECK VALVE TYPE C09.6

Application: The special fast-closing and self-acting butterfly swing check valve is designed to the back flow of the working medium in the extraction and bleed line of steam turbine.

Working medium: water, steam

Maximum working temperature: +450 °C to DN 800, NPS 32"
+350 °C from DN 900, NPS 34"



Production range:

DN 50-1600, NPS 2"-64"
PN 16-100, Class150-600

Material: acc. to EN or ANSI

- carbon steel
- alloy steel
- stainless steel

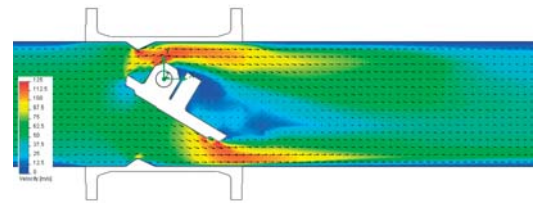
TRIM: acc. to specification

Connection to piping: flanged or welded ends acc. to EN or ANSI

Testing: to EN or API

Advantages

- guaranteed tightness
- low pressure loss
- low passive resistance
- none axial strength
- possibility to mount into horizontal and vertical piping
- unique design based on the working conditions
- fabricated design, which allows us flexibility
- maintenance free and long service life
- variability design



Options

- operation from side with hand lever on the other side (standard design)
- operation is on the top
- continual control of disc position
- pneumatic or hydraulic actuator
- equipment of butterfly swing check valve acc. to specification (by-passes, sensors etc.)
- check valve in design TOP ENTRY with type marking C09.7

ASSEMBLING INSERT TYPE M20

Application: The assembling insert is design to allow easier mounting and disassembling of valves from piping alternatively to determine the inaccuracy of the piping length. The face to face dimension is adjustable by distance bolts.

Working medium: water, steam

Maximum working temperature: +200 °C

Production range: DN 150-4000, NPS 6"-160"
PN 16-63, Class 150-400



Material: acc. to EN or ANSI

- carbon steel
- low alloy steel
- stainless steel

TRIM: acc. to specification

Connection to piping:

flanged acc. to EN or ANSI

Testing:

acc. to EN or API

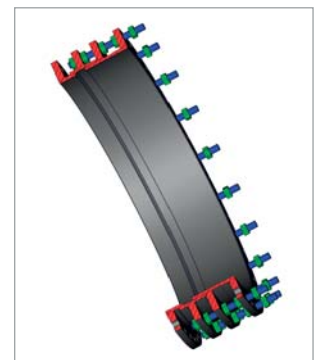
Advantages

- no castings
- tightness by „O“ rings, which guarantees longer service life
- easy operation
- variability of face to face dimension
- variability of design



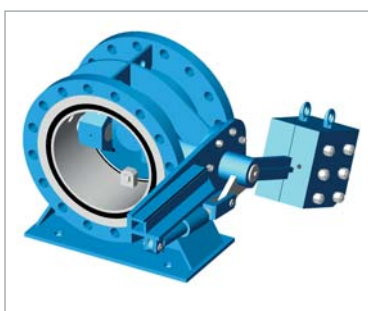
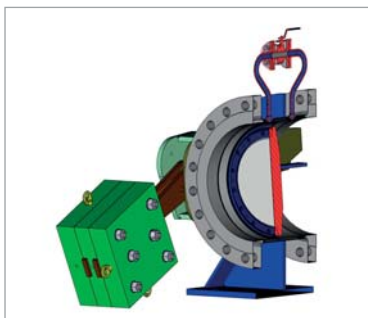
Options

- coating on request, including certificate for drinking water
- special coating (RILSAN, PROTEGOL etc.)



BUTTERFLY VALVES TYPE L32

Application: The butterfly valve is shut off valve. It is designed to open or close the service fluid flow fully in the piping system.



Working medium: water, steam

Maximum working temperature: to +200 °C

Production range:

DN 150-4000, NPS 6"-160"

PN 16-40, Class150-300

Material: acc. to EN or ANSI

- carbon steel
- low alloy steel
- stainless steel

TRIM: acc. to specification

Connection to piping: flanged or welded ends acc. to EN or ANSI

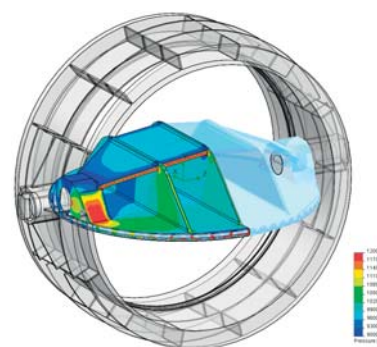
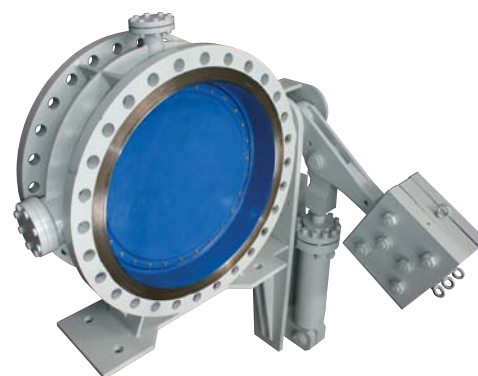
Testing: to EN or API

Advantages

- guaranteed tightness
- low loss coefficient
- no castings
- maintenance free with long service life
- zero emission of gland
- variability design

Options

- standard design with double eccentric type L32.7 and self acting closing by the lever and the counterweight
- design with single eccentric type L32.6
- design with triple eccentric type L32.8
- position of hydraulic cylinder on request
- equipment of butterfly valve acc. to specification (by-passes, sensors etc.)
- special face to face dimension



BALL VALVE TYPE K92.4

Application: The Trunnion mounted ball valve is fast-closing valve. It is designed to open or close the service fluid flow fully in the piping system.



Working medium: water, steam

Maximum working temperature: to+200 °C

Production range: DN 50-1050, NPS 2"-42"
PN 16-250, Class150-1500

Material: dle EN nebo ANSI

- carbon steel
- low alloy steel
- stainless steel

TRIM: acc. to specification

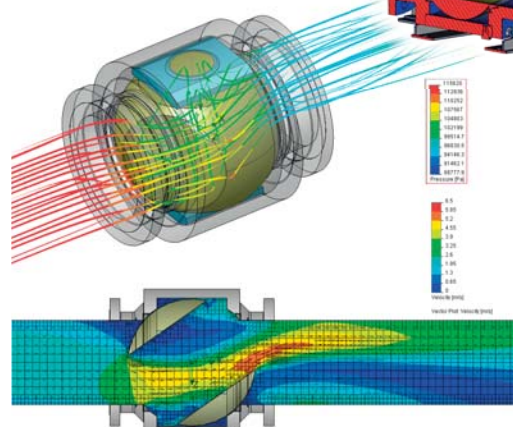
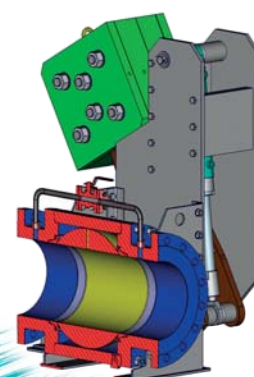
Connection to piping: flanged or welded ends acc. to EN or ANSI

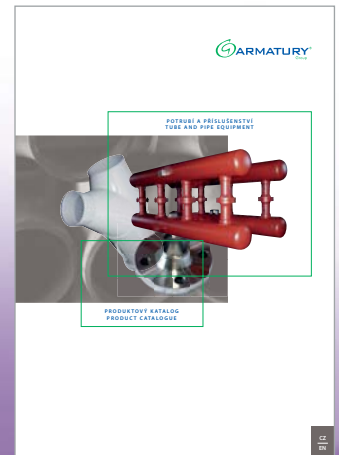
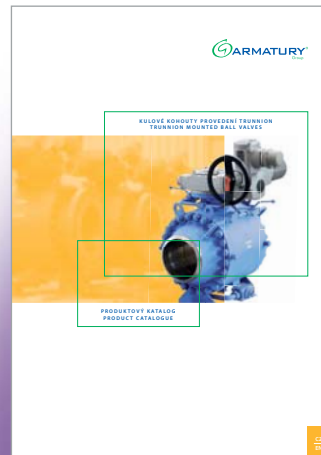
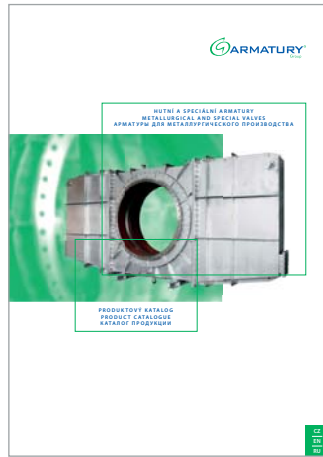
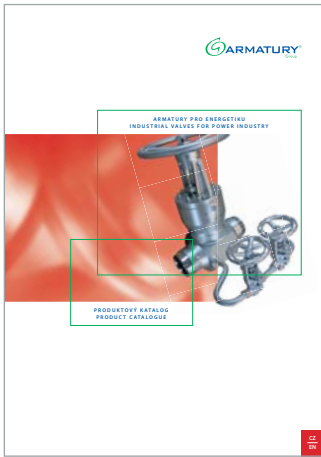
Advantages

- zero leakage
- loss coefficient is the same as piping with pipeline
- no castings
- maintenance free long service life
- zero emission of gland
- variability design

Options

- standard design is self acting by counterweight
- special face to face dimensions
- position of cylinder on request
- equipment of ball valve acc. to specification (by-passes, sensors etc.)





CONTACT ADDRESSES

Czech Republic

ARMATURY Group a.s.

Establishment plant and Headquarters

Hlučinská 41, 747 22 Dolní Benešov
tel.: +420/553 680 111
fax: +420/553 680 333
email: dolni.benesov@agroup.cz

Production plant and Registered office

Bolatická 39, 747 21 Kravaře
tel.: +420/553 680 111
fax: +420/553 680 333
email: kravare@agroup.cz

Sales offices

Lipnická 157, 753 61 Hranice IV - Drahotuše
tel.: +420/581 658 111
fax: +420/581 658 128
email: hranice@agroup.cz

Špitálské náměstí 9, 400 01 Ústí nad Labem
tel.: +420/475 211 908
fax: +420/475 211 843
email: usti@agroup.cz

Slovakia

ARMATURY GROUP, s.r.o.

Registered office

Jánošíkova 264, 010 01 Žilina
tel.: +421/41/707 77 77
fax: +421/41/707 77 70
email: zilina@agroup.cz

Sales offices

Južná trieda č. 74, 040 01 Košice
tel.: +421/55/ 677 18 77
fax: +421/55/ 677 18 78
email: kosice@agroup.cz

Murgašova 27, 927 00 Šaľa
tel.: +421/31/770 00 67
fax: +421/31/770 00 69
email: sala@agroup.cz

Russia

АО „АРМАТУРЫ Групп“

3 Тверская-Ямская д. 31/35
125047 Москва, Россия
тел./факс: / tel./fax: +7/495 956 3335
ел. почта / email: ag-moscow@col.ru



www.armaturygroup.cz